



FROZEN PORTIONS AND FILLETS

Atlantic Salmon

PRODUCT CHARACTERISTICS

Specie: Atlantic Salmon (*Salmo salar*)

Product: Skinless or Skin-on frozen portions and fillets (C,D,E)

Presentation: IVP or IQF Glazed

Color: 13 + (color is considered in fresh – thawed raw material)

Bones: Pin Bones Out (PBO)

Pigment: Ax (Astaxanthin)

Uses: Foodservice & Retail



Our Atlantic Salmon is farmed raised in the southern most regions of Chile, in the pristine untouched waters of Chilean Patagonia.



www.hsf.cl

Phone +56 65 223 4140

Comercial Nahuelbuta Ltda. Klenner 215, Puerto Varas, Chile

SIZE PRESENTATION

PORTIONS

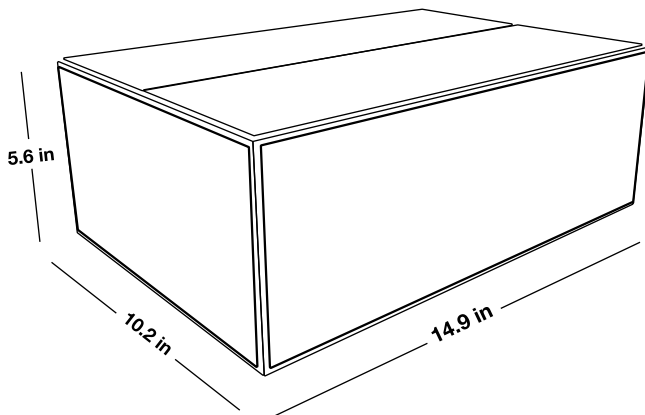
4oz (+/-0,5) / 99 - 128 g
6oz (+/-0,5) / 155 - 184 g
8oz (+/-0,5) / 213 - 241 g
10oz (+/-0,5) / 269 - 298 g
Custom Sizing Available

FILLETS

1 - 2 Lb / 455 - 910 g
2 - 3 Lb / 910 - 1.360 g
3 - 4 Lb / 1.360 - 1.815 g
4 - 5 Lb / 1.816 - 2.270 g
5 Lb - UP

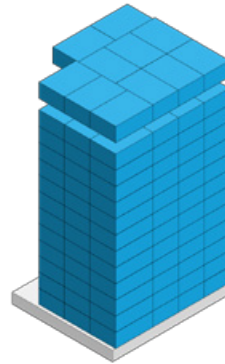
BOX DIMENSIONS

10# Box



PALLET

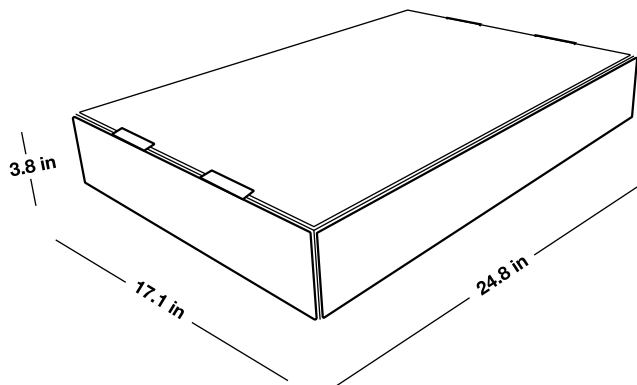
Ti-Hi



Pallet: 48 x 40 inch
n packages: 140
n layers: 14
Height: 78"
Surface usage: 79.7%
Volume usage: 75.8%
Total weight: 1400 lbs

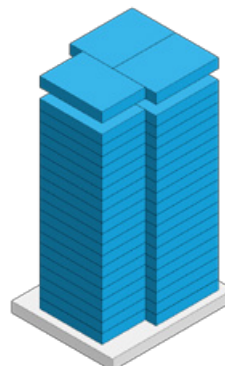
BOX DIMENSIONS

15# Box



PALLET

Ti-Hi



Pallet: 48 x 40 inch
n packages: 80
n layers: 20
Height: 78"
Surface usage: 66.1%
Volume usage: 64.4%
Total weight: 1320 lbs