



PATAGONIAN FRESH PREPARED ALASKAN STYLE

# Patagonian Southern King Crab

## PRODUCT CHARACTERISTICS

---

**Specie:** Patagonian Southern King Crab (*Lithodes santolla*)

**Products:** Whole, Sections and Meat Blocks

**Presentation:** IQF and IVP Meat Blocks

**Uses:** Foodservice & Retail



Offering widespread consumer appeal due to its unrivaled elegance, flavor and texture, Patagonian Southern King Crab is being used by many of the nation's top chefs to elevate the status of appetizers, entrees, soups and salads.



[www.hsf.cl](http://www.hsf.cl)

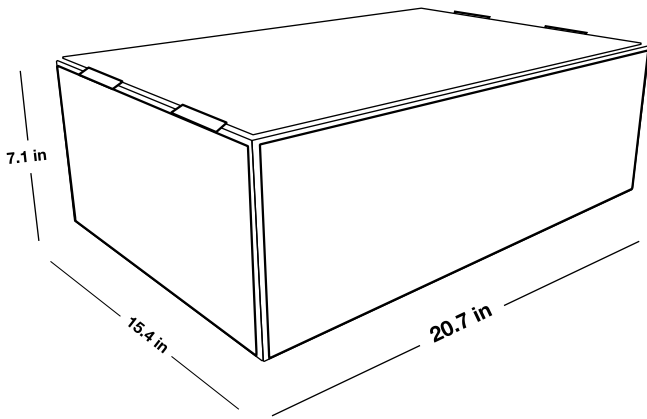
Phone +56 65 223 4140

Comercial Nahuelbuta Ltda. Klenner 215, Puerto Varas, Chile

SIZE PRESENTATION	
<b>SECTIONS</b> S (300-500 gr) M (500-700 gr) L (700-900 gr)	<b>MEAT BLOCKS</b> 1 Lb (454 gr)

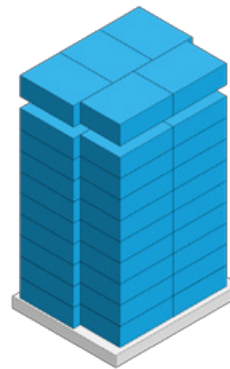
**BOX DIMENSIONS**

**20# Box**



**PALLET**

**Ti-Hi**



- Pallet:** 48 x 40 inch
- n packages:** 50
- n layers:** 10
- Height:** 78"
- Surface usage:** 82.9%
- Volume usage:** 75.4%
- Total weight:** 1000 lbs